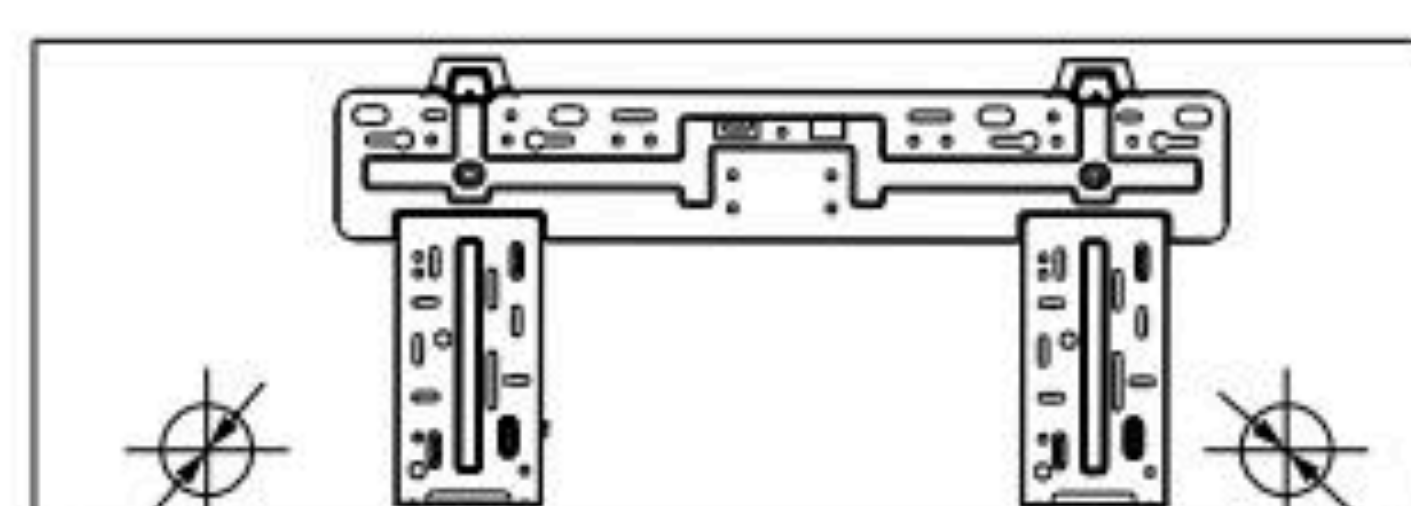
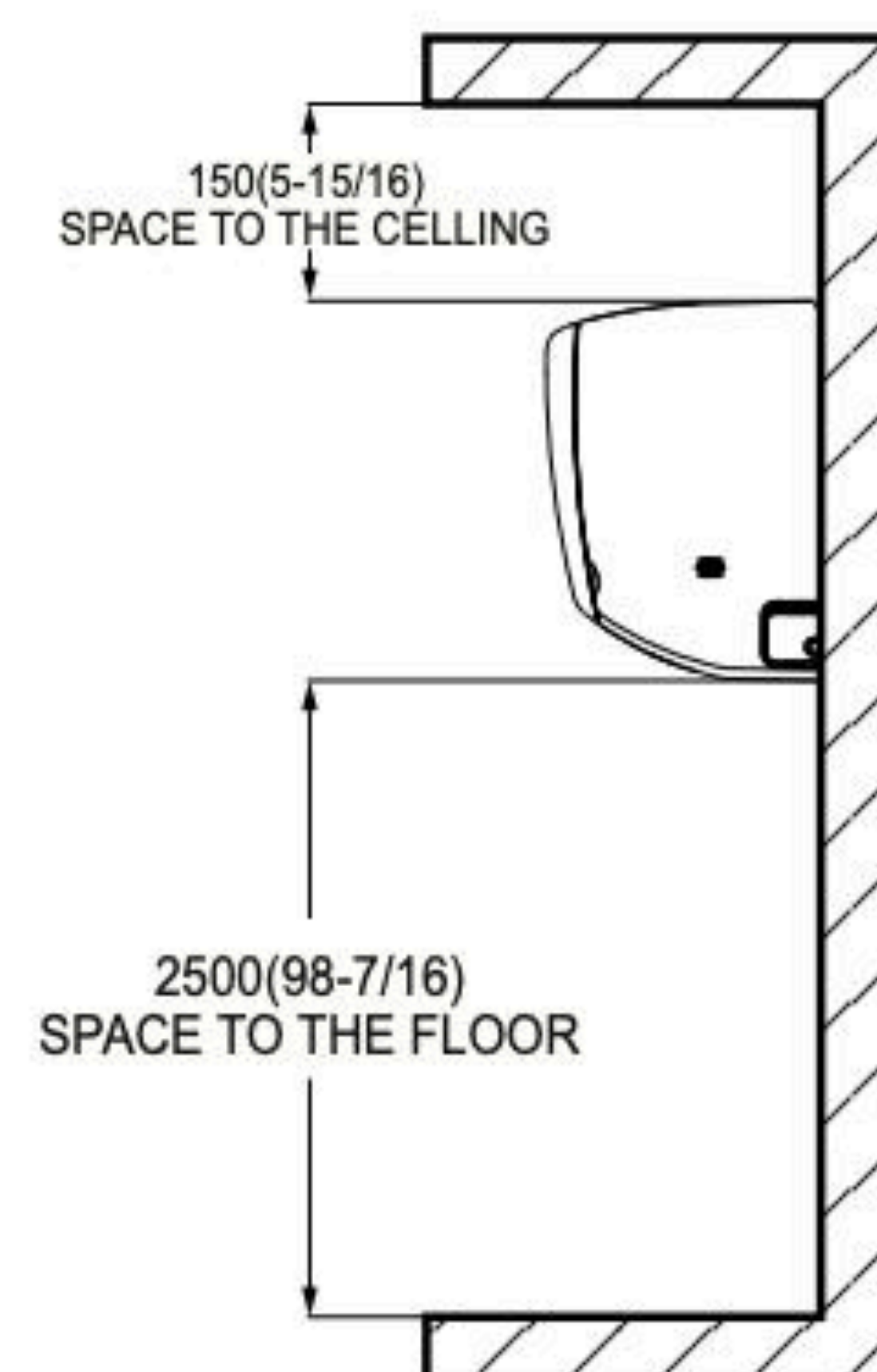
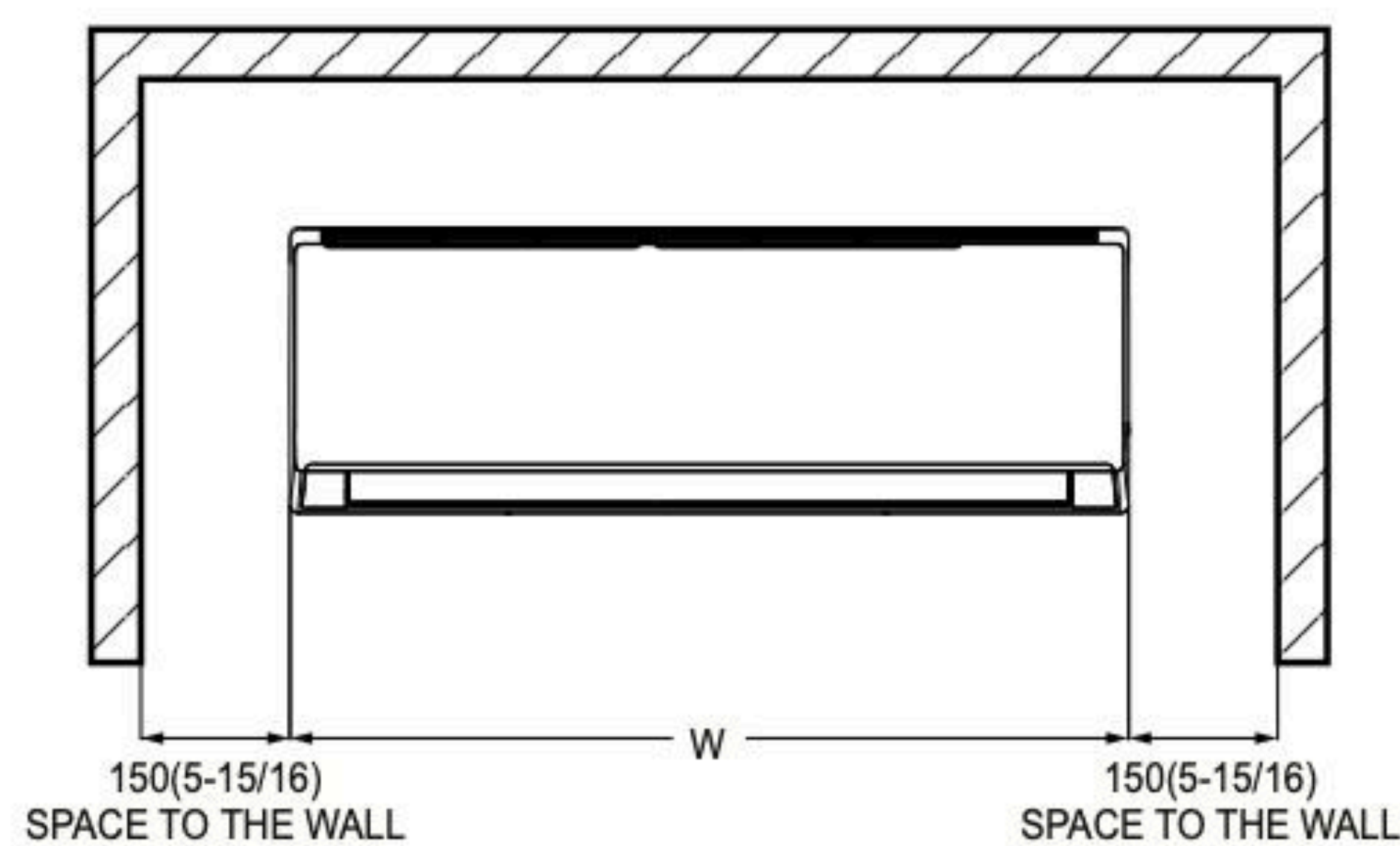
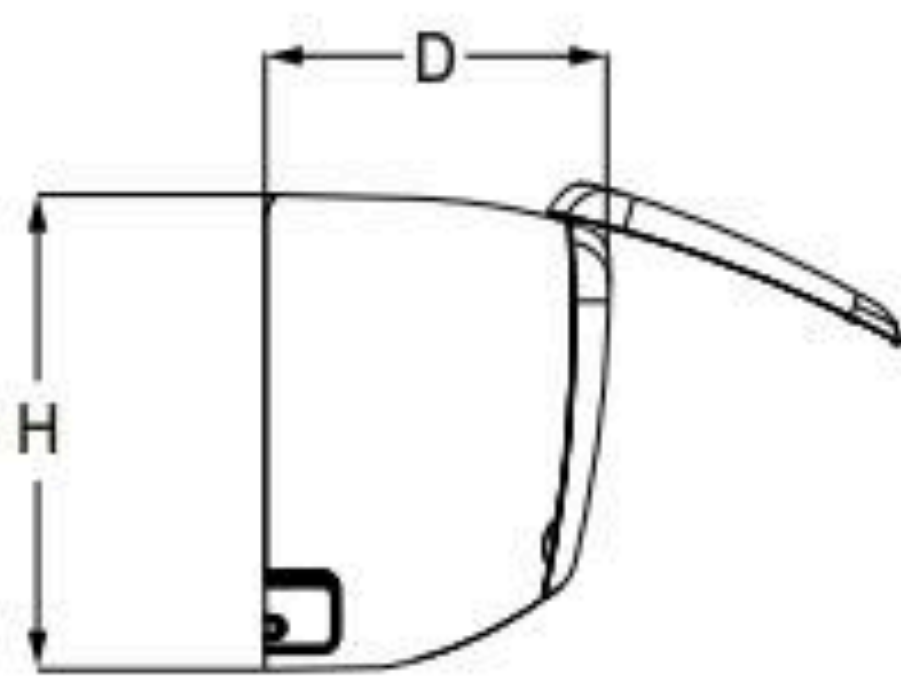
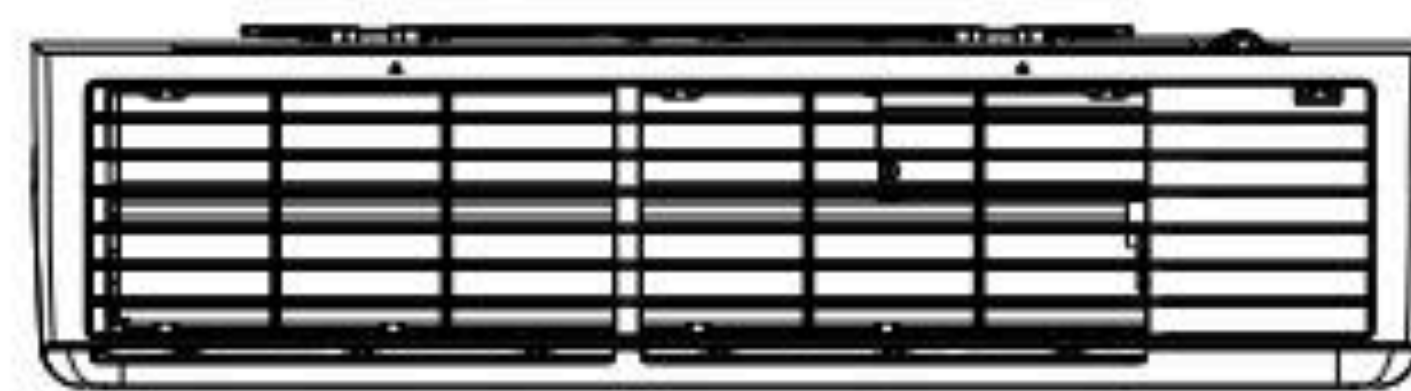


# TOSOT COMFORT

Model: GMV-ND12G/B4B-T(U)



Left  $\Phi 55(2-3/16)$  or  $\Phi 70(2-3/4)$   
(Rear piping hole)

Right  $\Phi 55(2-3/16)$  or  $\Phi 70(2-3/4)$   
(Rear piping hole)

<b>Specification</b>	<b>Unit</b>	<b>Parameter</b>
<b>Performance</b>		<b>GMV-ND12G/B4B-T(U)</b>
Rated Cooling Capacity	kBtu/h	12.0
Rated Heating Capacity	kBtu./h	13.5
Sound Pressure Level (H/M/L)	dB(A)	38/35/31
<b>Fan</b>		
Type x Quantity		Cross-flow x 1
Air Flow Volume (H/M/L)	CFM	371/271/188
Fan Motor Running Current	A	0.12
Fan Motor Power Input	W	25
<b>Electrical Data</b>		
Power Supply	Voltage, Phase, Hertz	208/230, 1, 60
Minimum Circuit Amps (MCA)	A	1
Maximum Overcurrent Protection (MOP)	A	15
<b>Refrigerant Piping</b>		
Connection Pipe	Gas (inch)	1/2
	Liquid (inch)	1/4
Connection Method	Flare Connection	
Refrigerant	R410A	
<b>Dimension/Weight</b>		
Dimensions (HxWxD)	inch	33-1/4 x 8-1/4 x 11-3/8
Net Weight	lbs	23.5
<b>Other</b>		
Safety Certification		ETL